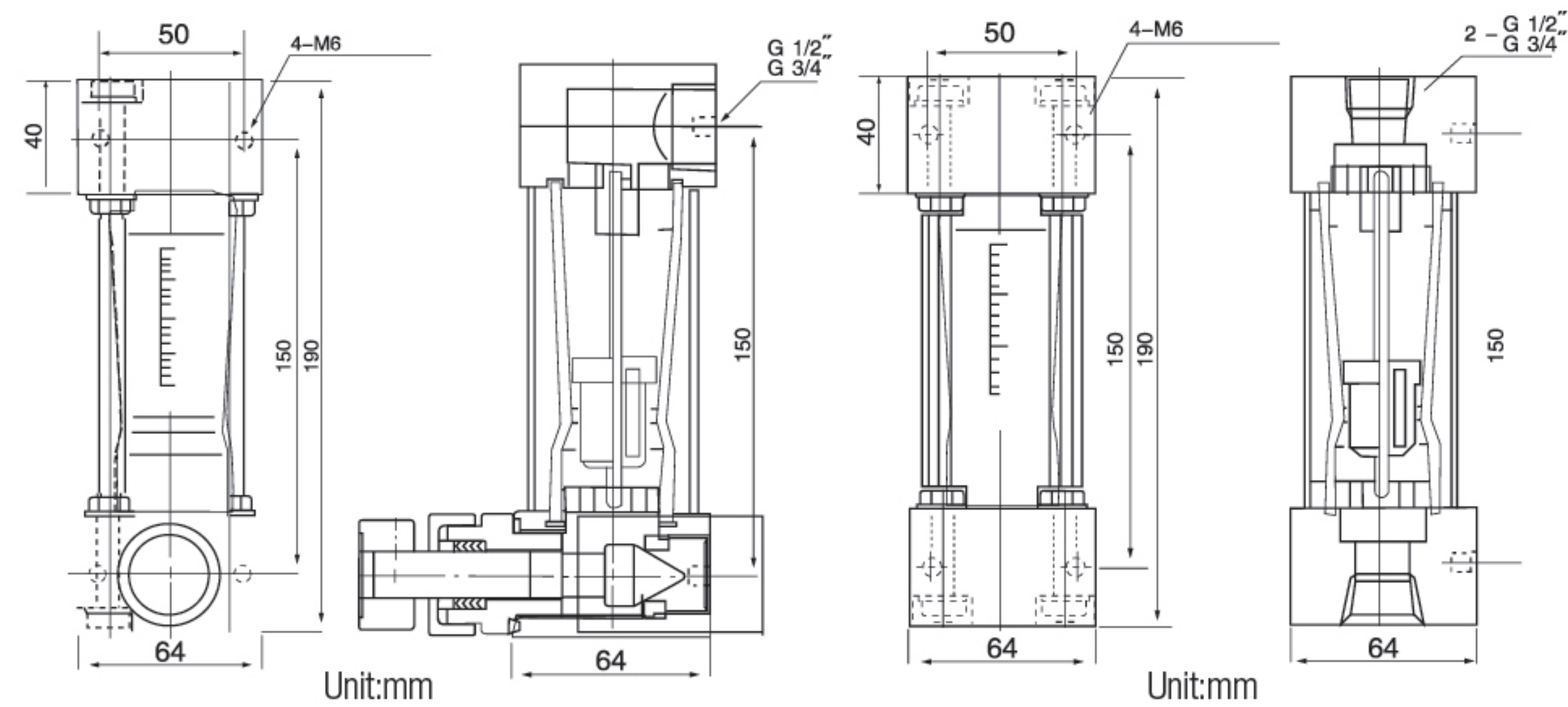
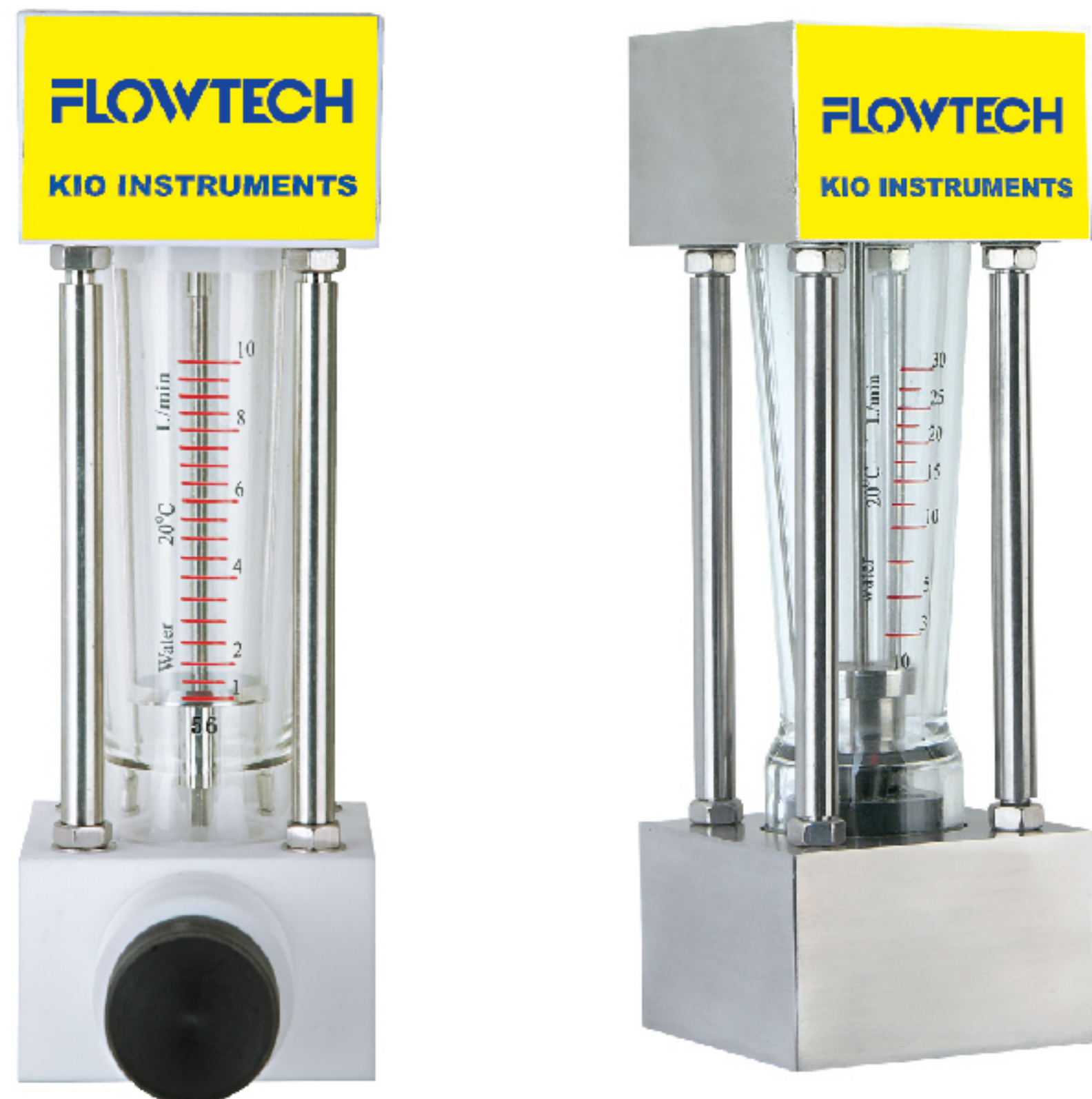


# The Series K500 Glass Rotameter

With or without flow control valve, easy to install



The Series K500 Glass Rotameter is a variable area flowmeter. Its measuring tube is made of transparent glass. When fluid flows through the tube, the float suspends under the action of hydrodynamic force and its own gravity. The greater the fluid flow rate, the higher the float rises. The flow value can be directly read from the float's position. With excellent chemical compatibility, it becomes a preferred tool for laboratory, food & pharmaceutical, and small-to-medium flow measurement applications. Its lightweight design and easy-to-observe features make it particularly advantageous in scenarios requiring visual operation.

SPECIFICATIONS	
<b>Service</b>	Compatible liquids or gases
<b>Material</b>	The body material is 304 stainless steel or PTFE
<b>Accuracy</b>	±2.5%
<b>Temperature Rating</b>	304 stainless steel: ≤100°C; PTFE: ≤80°C
<b>Pressure Rating</b>	≤0.6MPa
<b>Connection</b>	Multiple connection methods are available

## FEATURES

- With or without flow control valve
- High measurement accuracy and good interchangeability
- The float rotates only with the fluid flow, featuring no mechanical wear, low maintenance costs, and a long service life. Lightweight and cost-effective
- Provides an economical solution for flow measurement
- Vertical installation without straight pipe sections
- Allows direct observation of fluid status and float position for easy reading

## APPLICATIONS

- Pharmaceutical Industry
- Semiconductor Industry
- Food and Beverage Industry
- Urban Water Supply and Drainage
- Environmental Protection
- New Energy Industry
- Scientific research institution

## Specifications

Model	Measurement Range		Female thread	Weight (kg)	
	Liquid (L/min)	Gas (NL/min)		304	PTFE
K-5011	1~10	40~400	1/2" BST	2.5	1.5
K-5012	2~20	60~600	1/2" NPT		
K-5013	3~30	90~900	3/4" BST		
K-5014	4~40	120~1200	3/4" NPT		
K-5015	5~50	150~1500	3/4" BST		
K-5016	12~60	400~1800	3/4" NPT		
K-5017	20~100	600~3000	3/4" NPT		

MODEL CHART							
Example		K-5011	-1L/min-10L/min	-L	-S	-1/2	-0
<b>Series</b>	The Series K500						Glass Rotameter
<b>Model</b>	K-5011						Please refer to the technical specification, outline dimension
	K-5012						Please refer to the technical specification, outline dimension
	K-5013						Please refer to the technical specification, outline dimension
	K-5014						Please refer to the technical specification, outline dimension
	K-5015						Please refer to the technical specification, outline dimension
	K-5016						Please refer to the technical specification, outline dimension
<b>Flow Range</b>			XXXXXXXX				Select the range in the technical specification table, e.g., "2.5mL/min-25mL/min"
<b>Medium</b>				A			Gas
				L			Liquid
<b>Body Material</b>					F		PTFE
					S		304 Stainless Steel
<b>Connection</b>						1/2	1/2"BST (NPT threads optional)
						3/4	3/4"BST (NPT threads optional)
<b>Flow Control Valve</b>						0	Without valve
						1	With upper valve
						2	With lower valve